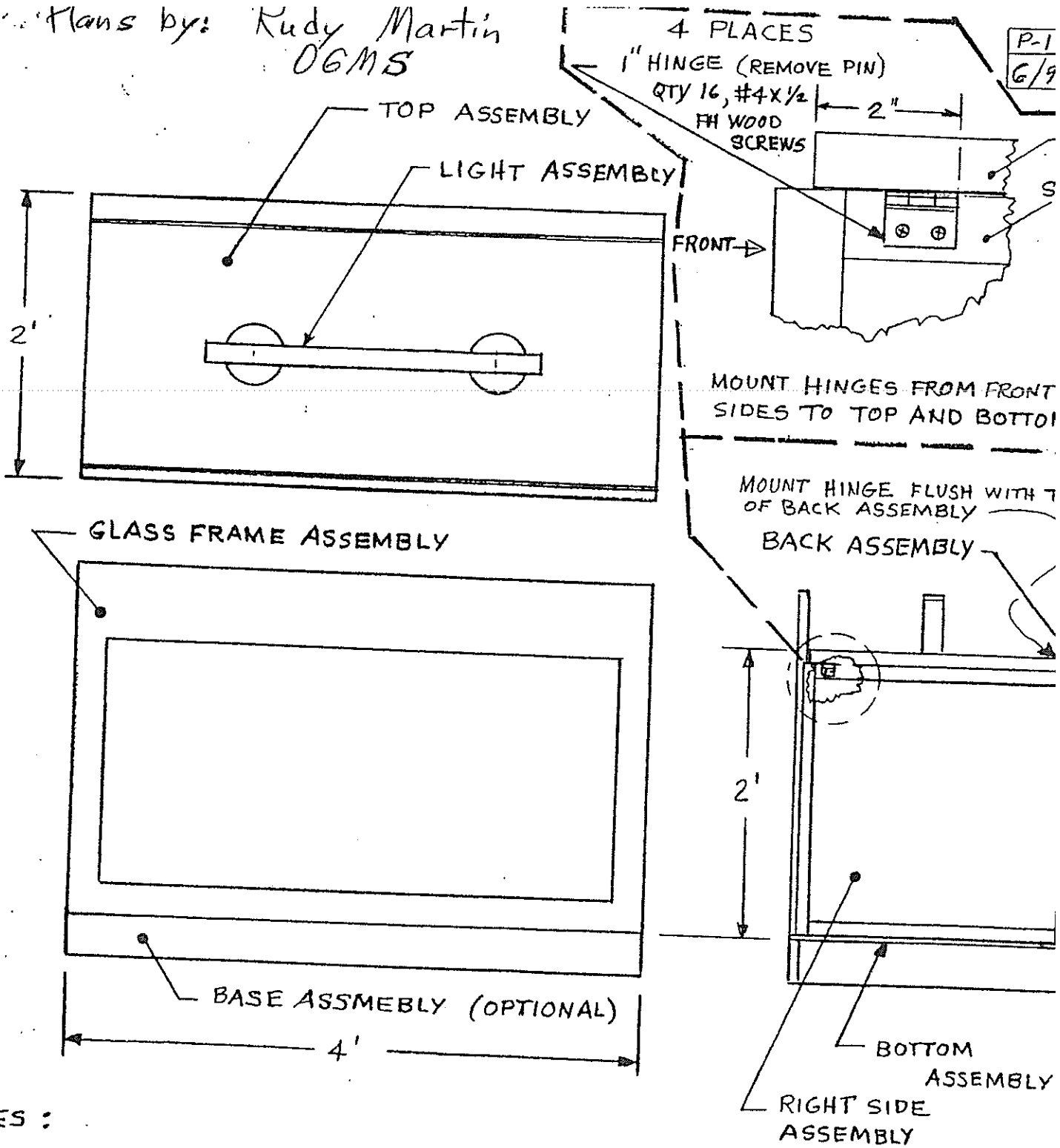


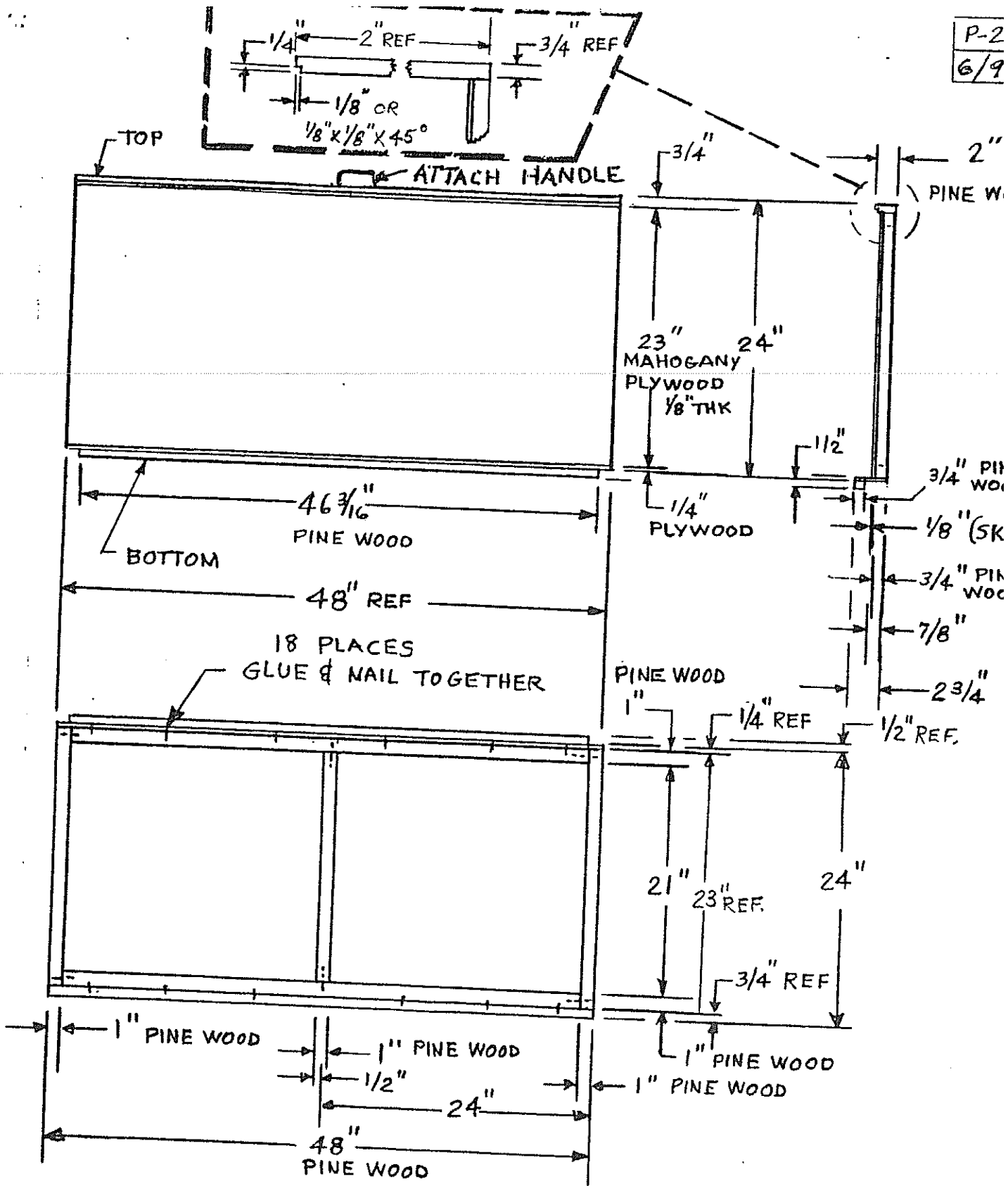
Plans by: Rudy Martin
OGMS



NOTES :

1. LEFT SIDE ASSEMBLY NOT SHOWN.
2. SUGGESTED ASSEMBLY OF CASE AS FOLLOWS :
 - (a) ATTACH BOTTOM ASSEMBLY TO BACK ASSEMBLY ; KEEP BOTH ASSEMBLY SQUARED WITH EACH OTHER. QTY 24, FH WOOD SCREWS, #4 X 1/2" LENGTH
 - (b) ATTACH LEFT AND RIGHT SIDE ASSEMBLIES TO BACK ASSEMBLY ; HINGE SHALL BE FLUSH WITH OUTSIDE EDGE, AND TOP AND BOTTOM OF SIDES SHALL BE EQUALLY SPACE BETWEEN TOP AND BOTTOM OF BACK ASSEMBLY. QTY 11, FH WOOD SCREWS, #4 X 1/2" LENGTH.
 - (c) ATTACH TOP ASSEMBLY TO BACK ASSEMBLY ; HINGE SHALL BE FLUSH WITH THE TOP OF THE BACK ASSEMBLY. QTY 22, FH WOOD SCREWS, #4 X 1/2" LENGTH.

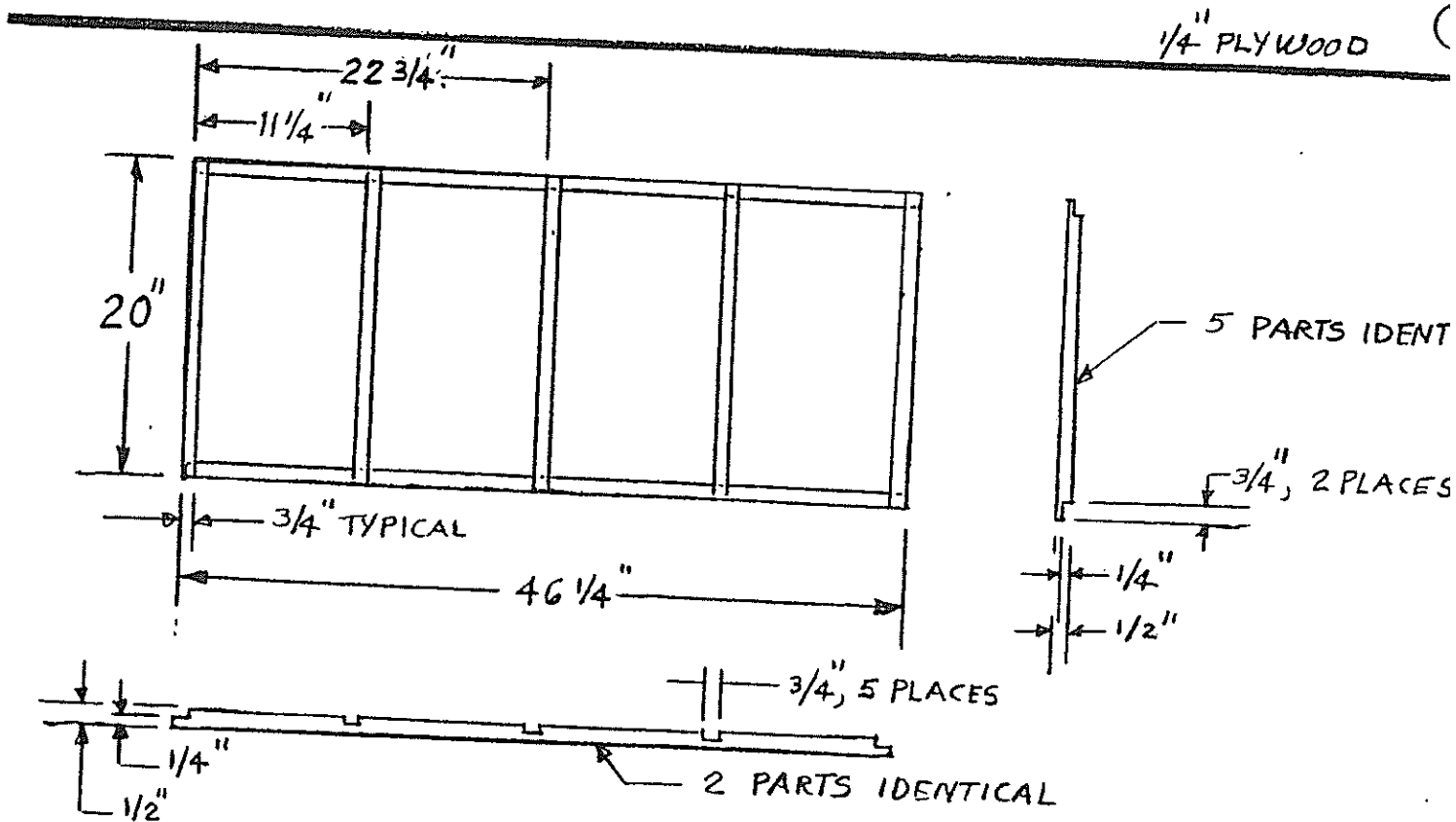
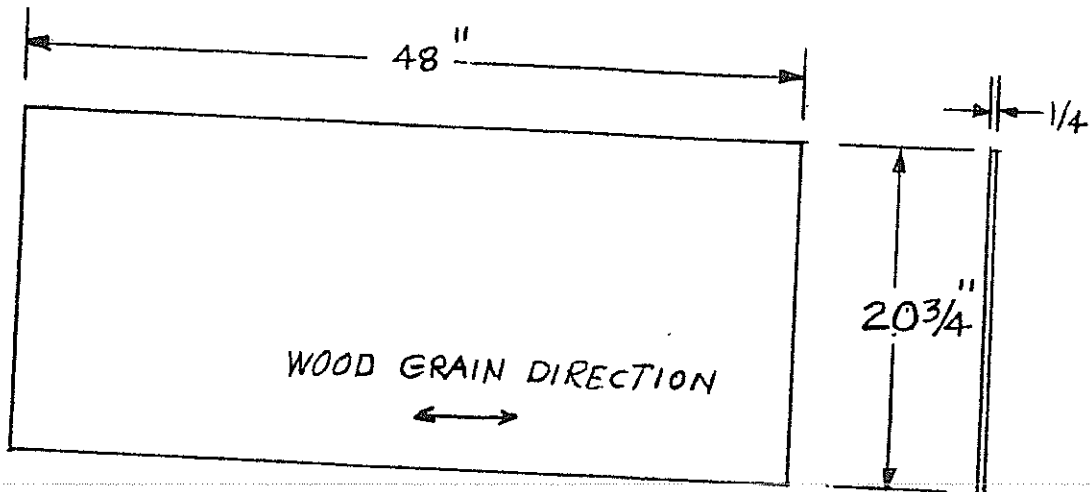
CASE ASSEMBLY



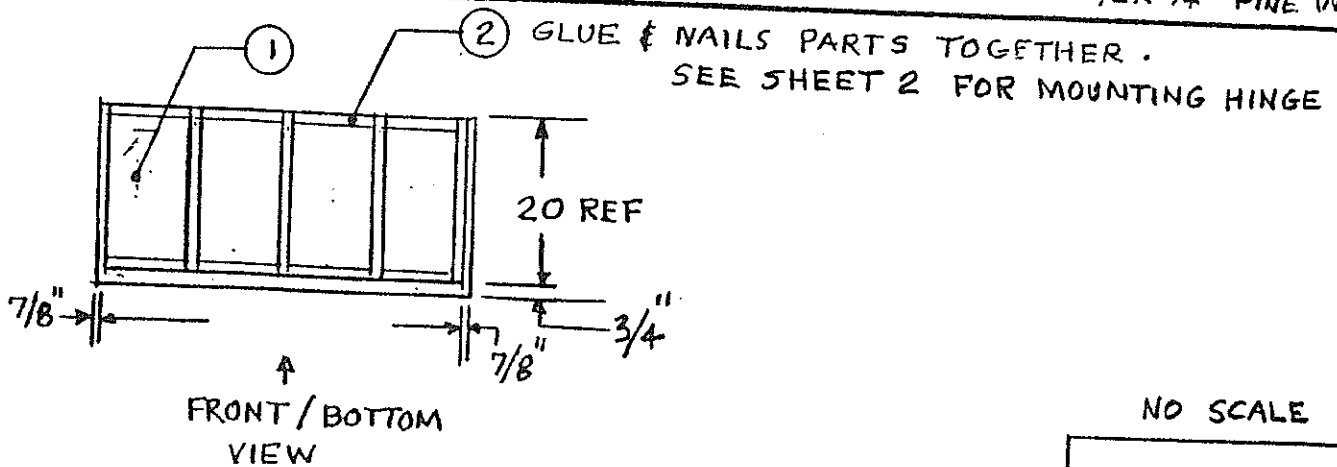
NOTE :
1. CENTER HANDLE (OPTIONAL).

SCALE 1" = 1'

BACK ASSEMBLY

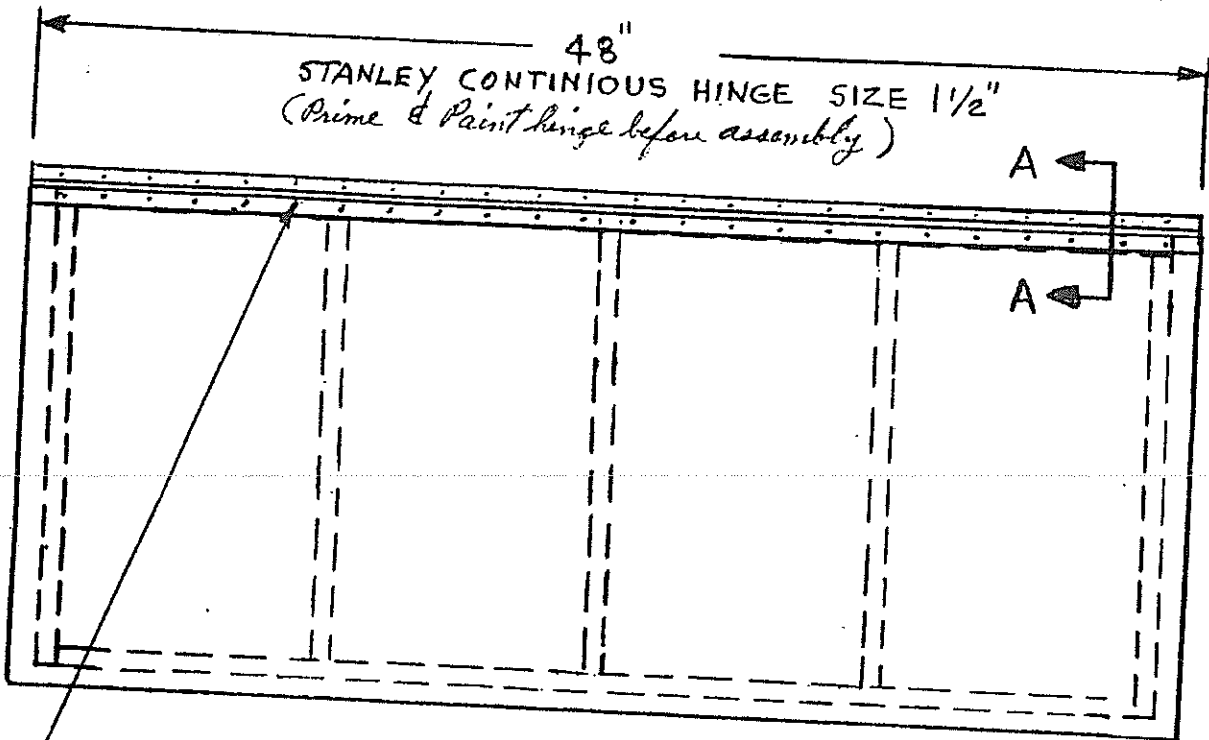


1/2" x 3/4" PINE WOOD.

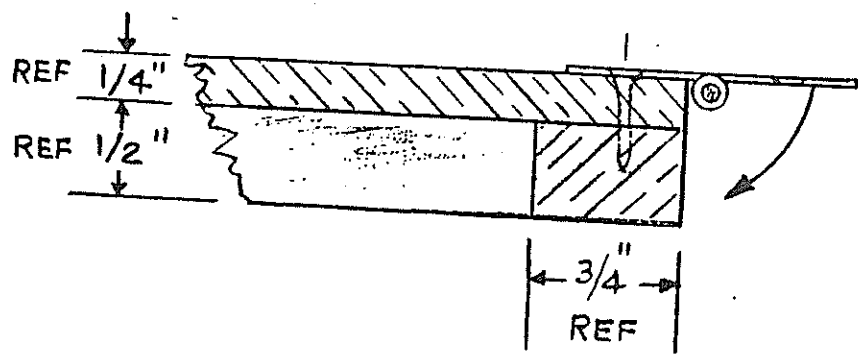


NO SCALE

BOTTOM ASSEMBL
SHEET 1 OF



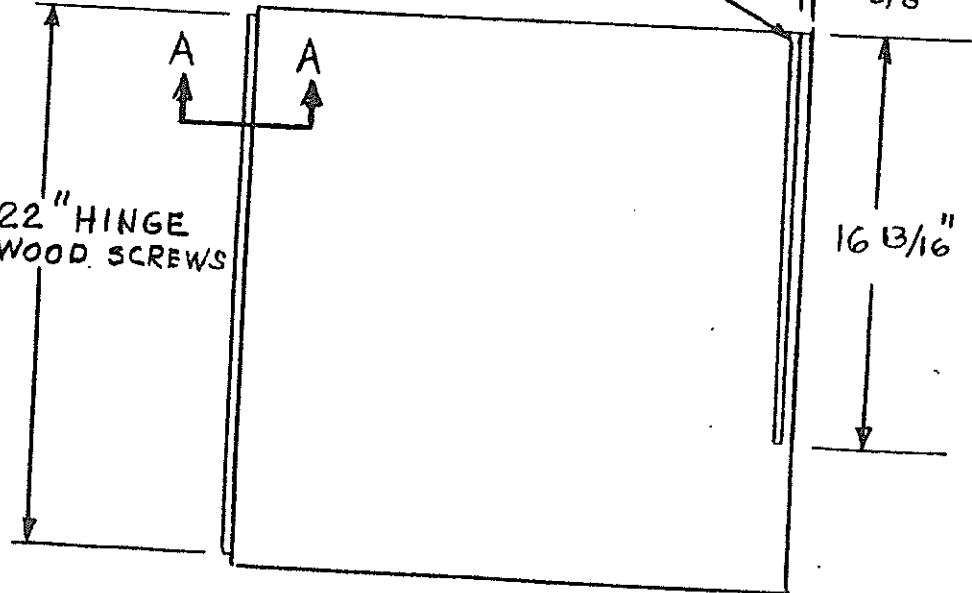
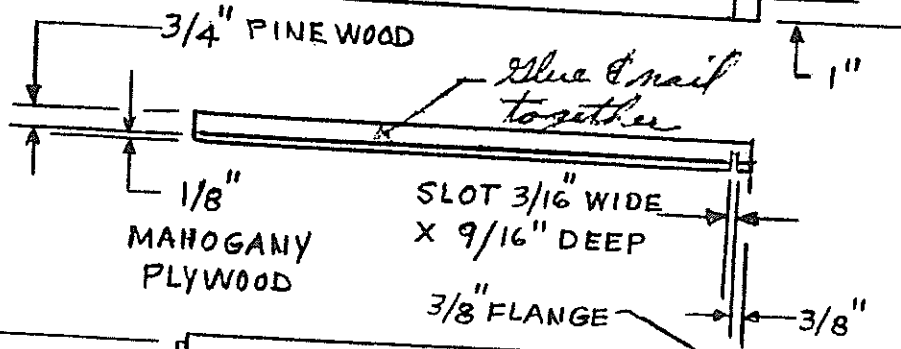
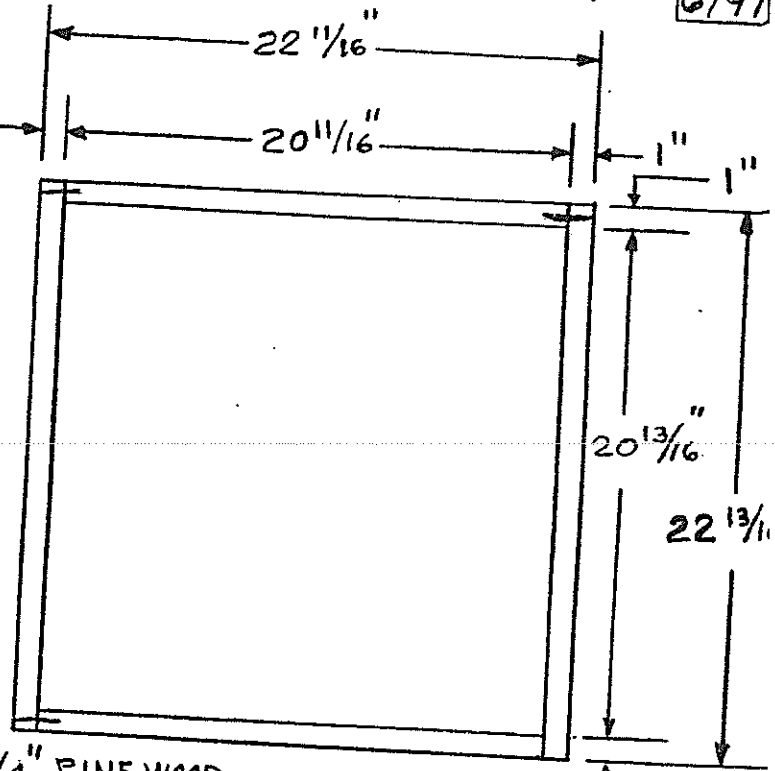
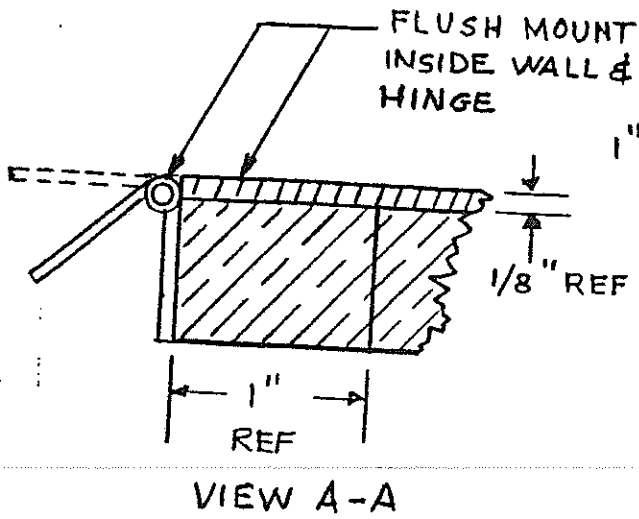
COUNTSINK 48 HOLES TO MATE WITH #4 FLAT HEAD WOOD SCEWS
INSTALL QTY 24 FLAT HEAD WOOD SCREWS
4 - 1/2" LENGTH



NOT TO SCALE

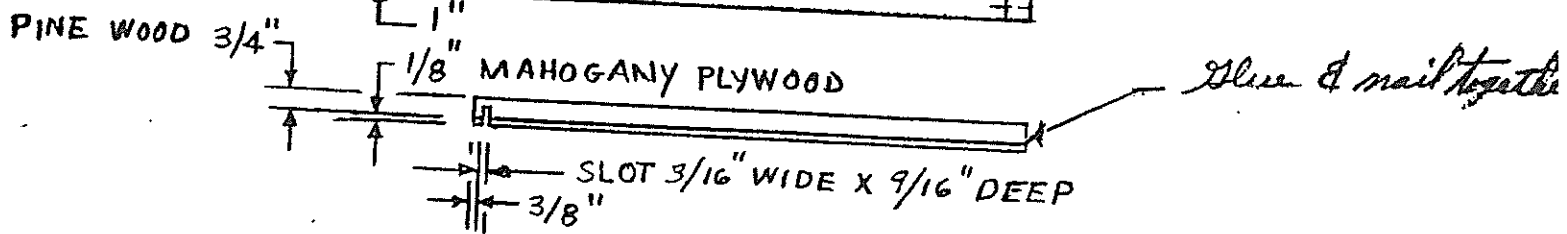
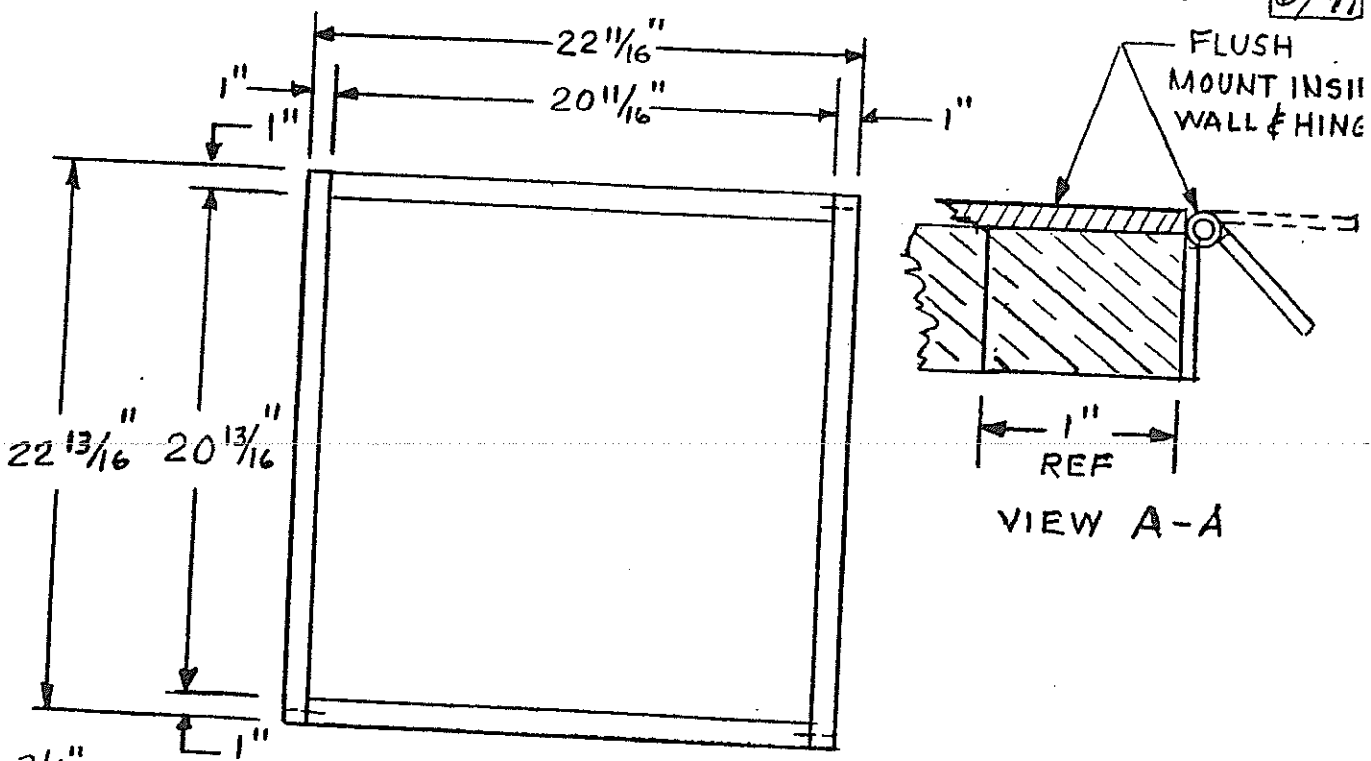
BOTTOM ASSEMBLY

SHEET 2 OF 2

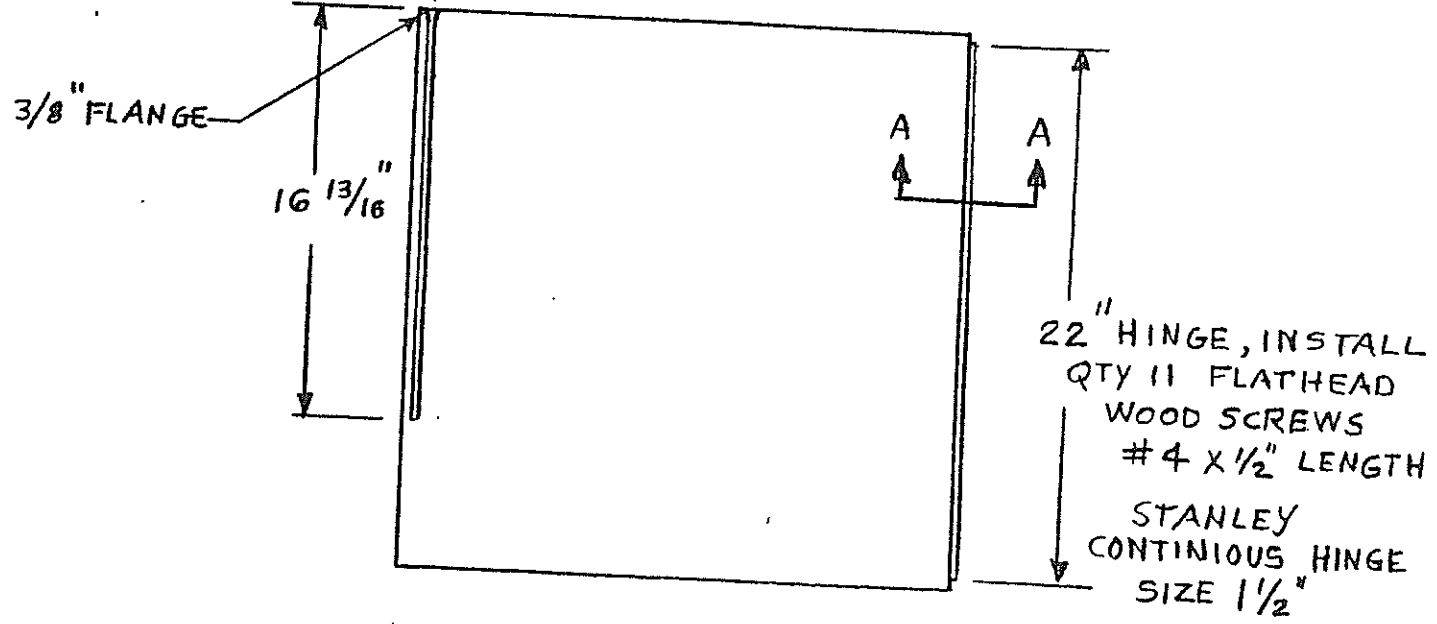


INSTALL
QTY 11 FLATHEAD
#4 X 1/2" LENGTH
STANLEY
CONTINUOUS HINGE SIZE 1 1/2"
(Prime & Paint hinge
before assembly)

SCALE 1 1/2" = 1"
RIGHT SIDE
ASSEMBLY



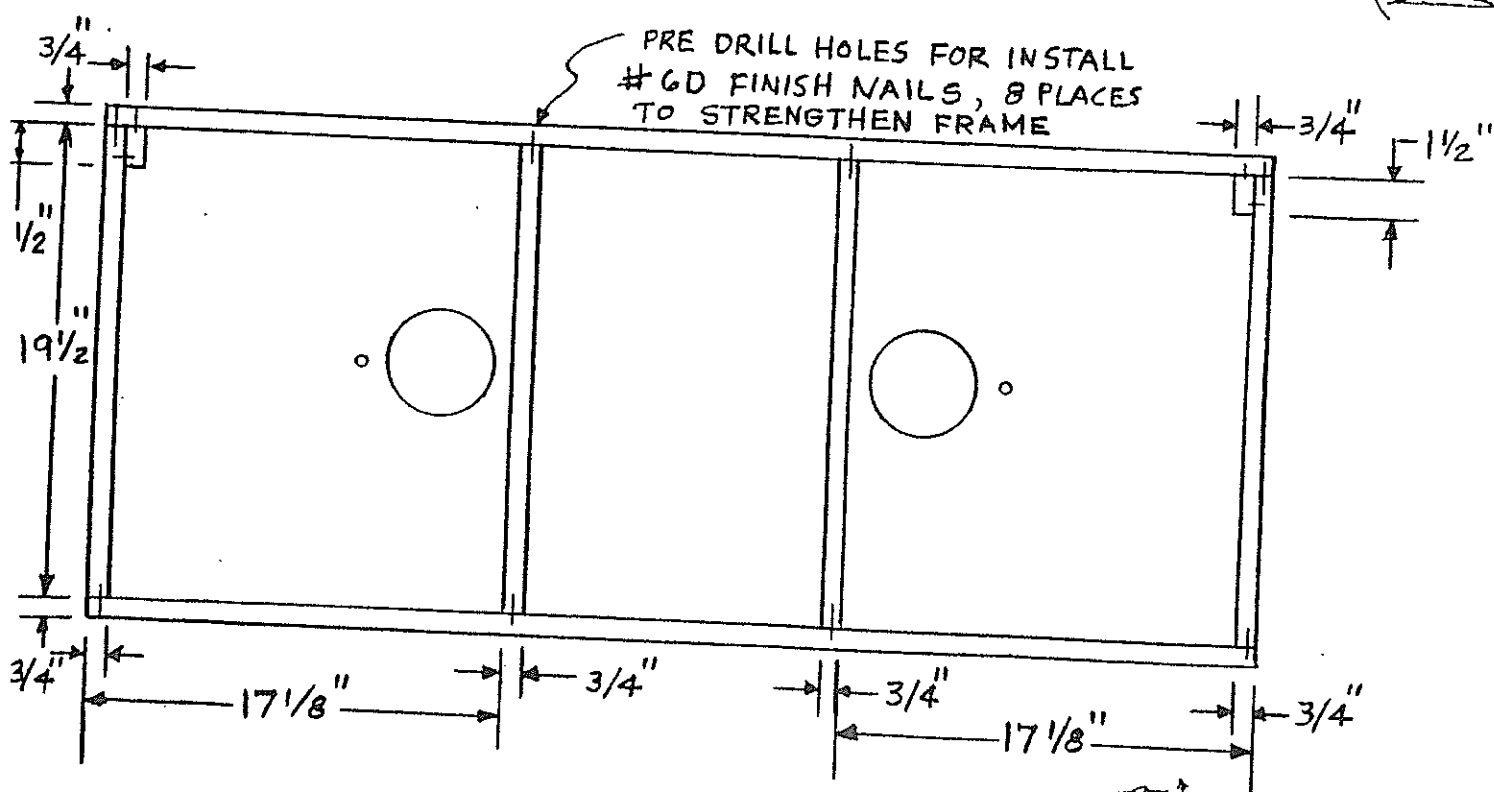
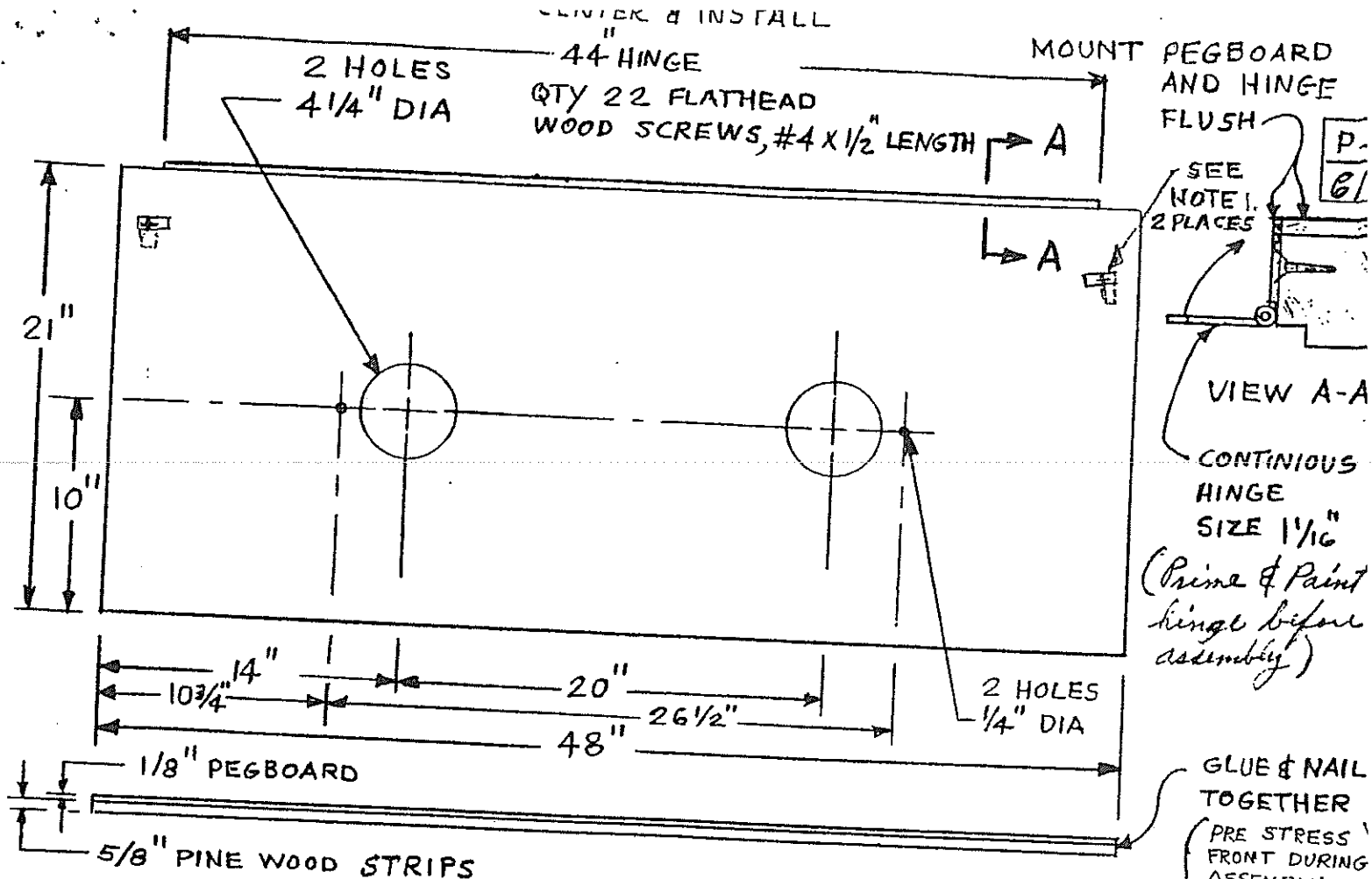
Glue & nail together



(Prime & Paint hinge before assembly)

SCALE 1 1/2" = 1'

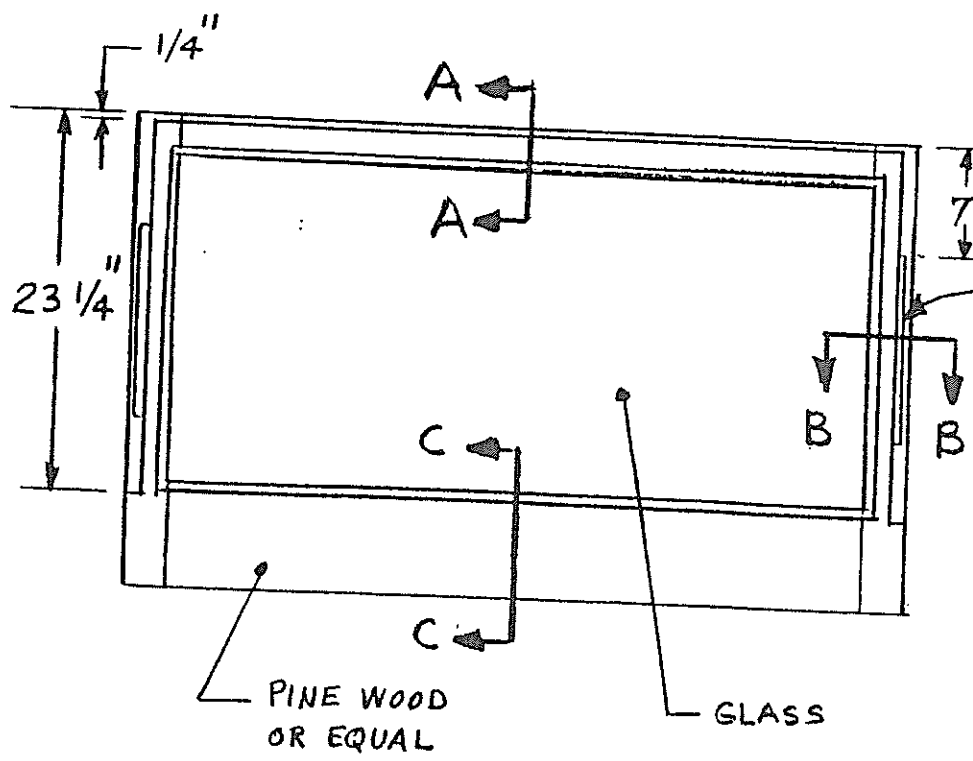
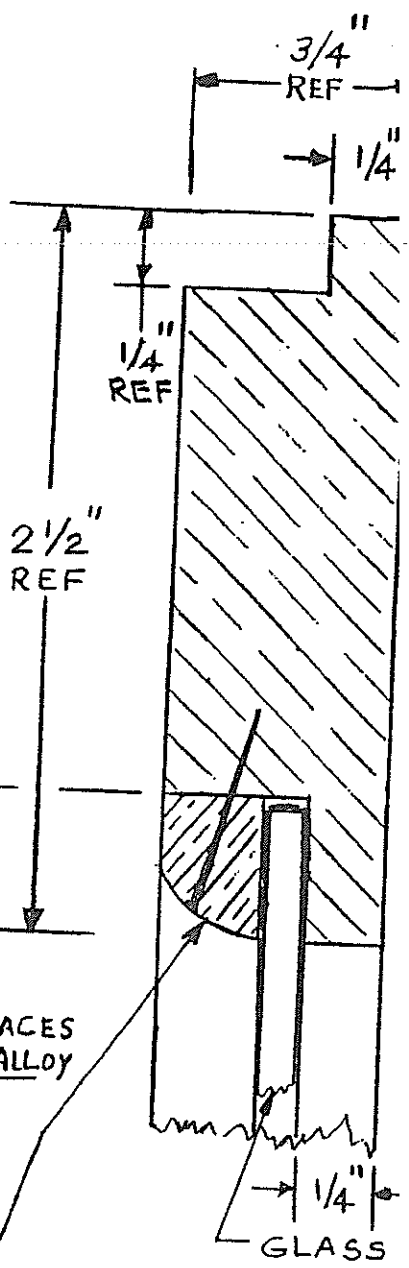
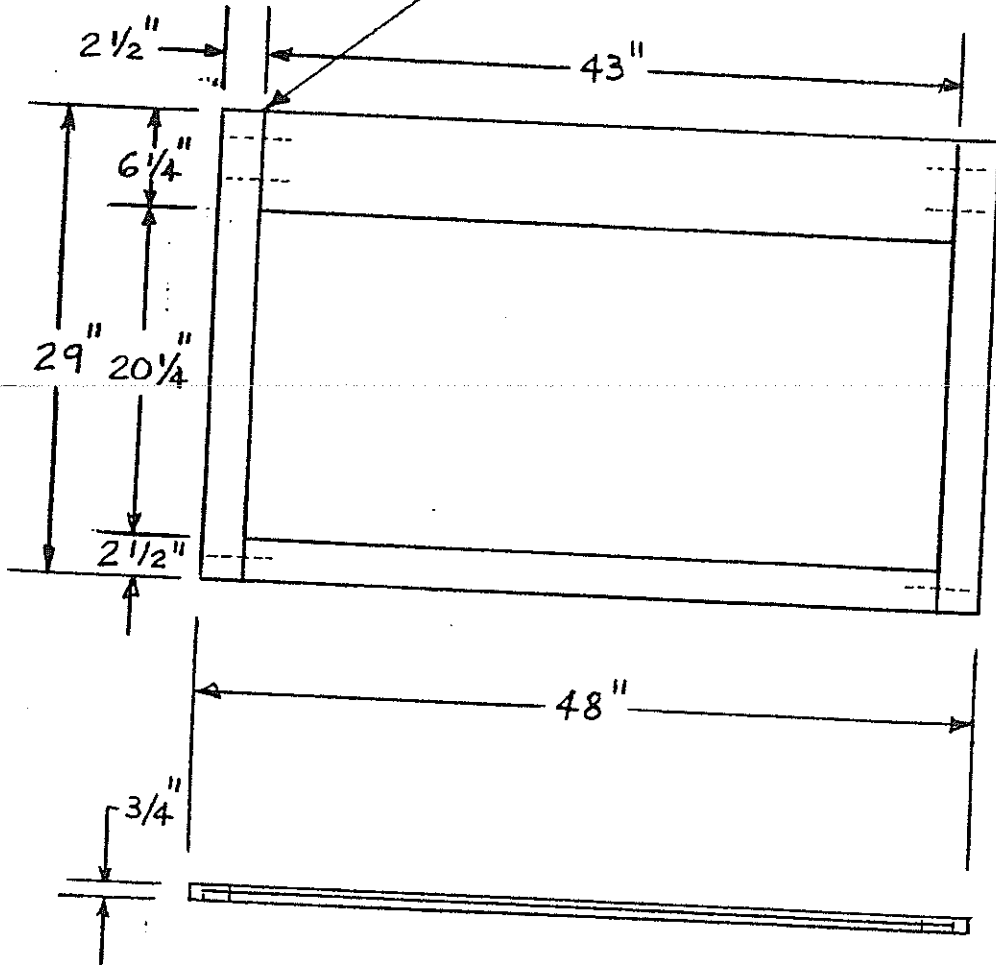
LEFT SIDE ASSEMBLY



NOTE:
 1. FORM METAL BRACKETS; LOCATE AND ATTACH
 THESE BRACKETS WHEN CASE IS FINISH AND FOLDED
 UP.

SCALE 1 1/2" = 1'
TOP ASSEMBLY

GLUE & ATTACH (DOWELS OR FINISH NAILS) TOGETHER, 4 PLACES



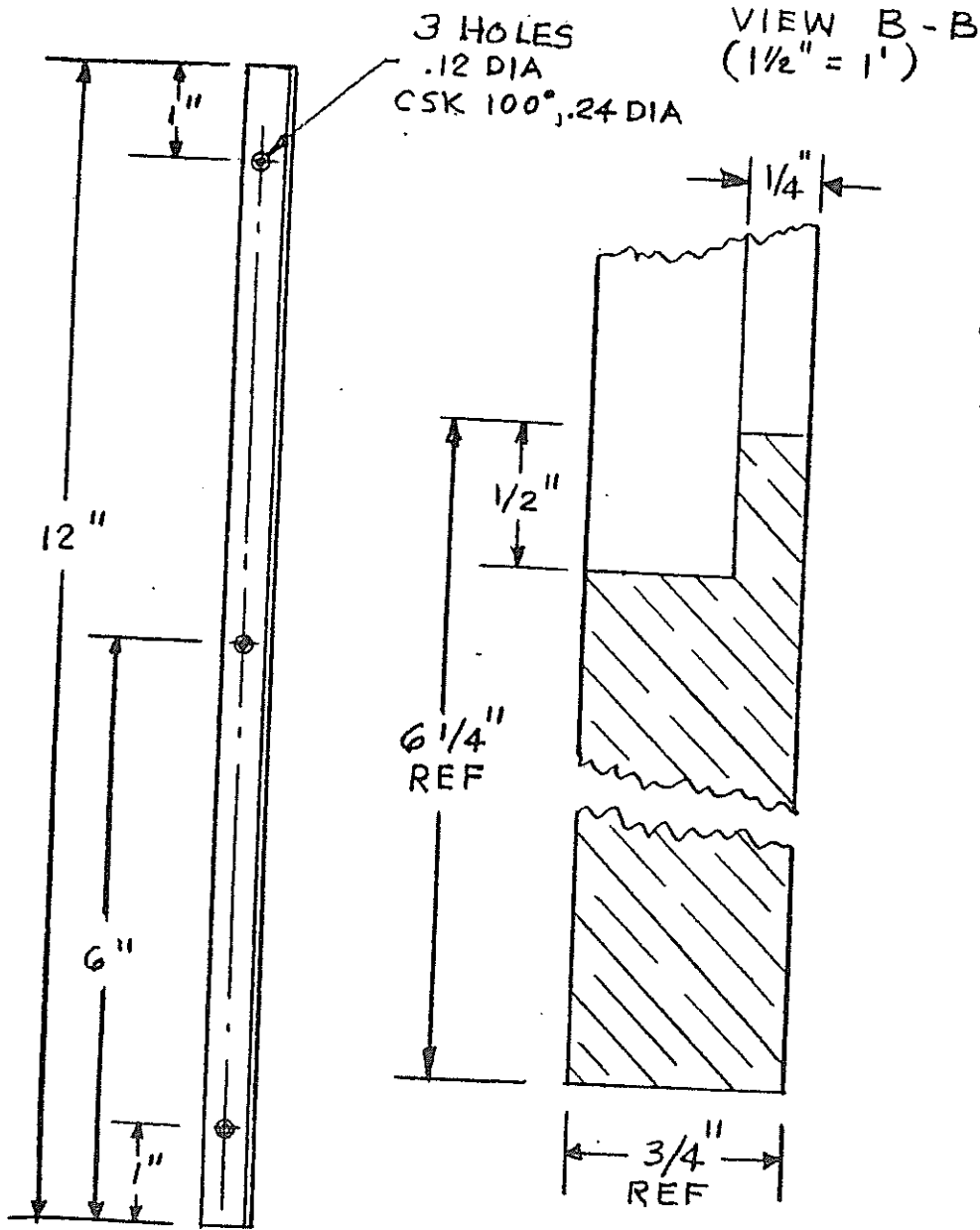
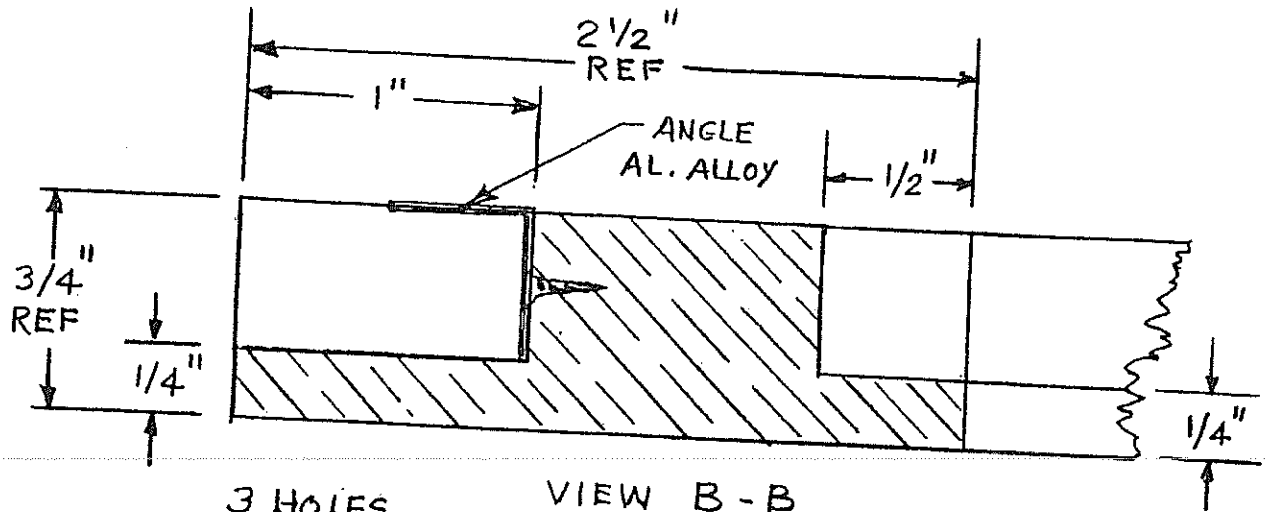
VIEW A-A
(1/2" = 1')

TYPICAL
MODIFY AND MOUNT 1/2" X QUARTER ROUND (PINE) STRIP TO HOLD GLASS IN PLACE. (USE DUCT TAPE STRIPS TO FIT GLASS IN PLACE)

SCALE 1" = 1'

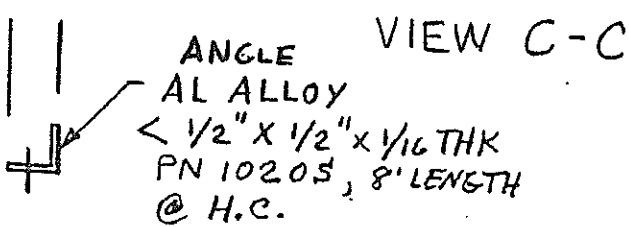
GLASS FRAME ASSEMBLY

Rjm

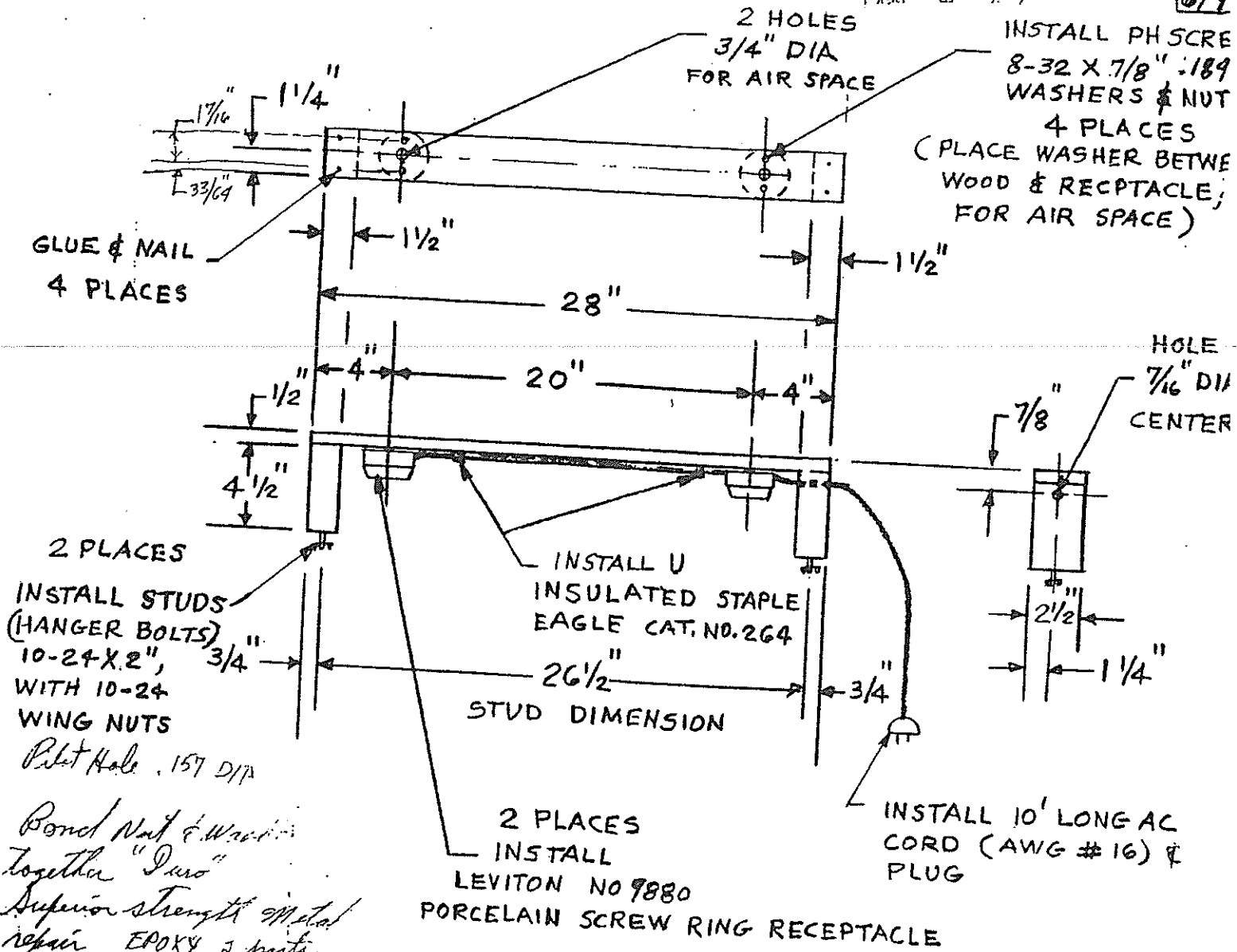


NOTE :

1. DOUBLE STRENGTH GLASS, SIZE 21" X 43 3/4"



GLASS FRAME ASSEMBLY



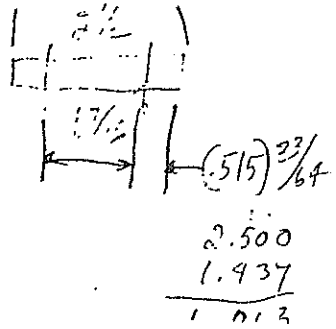
Bond Nut & Washer
together "Duro"
Superior strength metal
repair EPOXY 3 parts

Record NO. TM-81
79340-81509

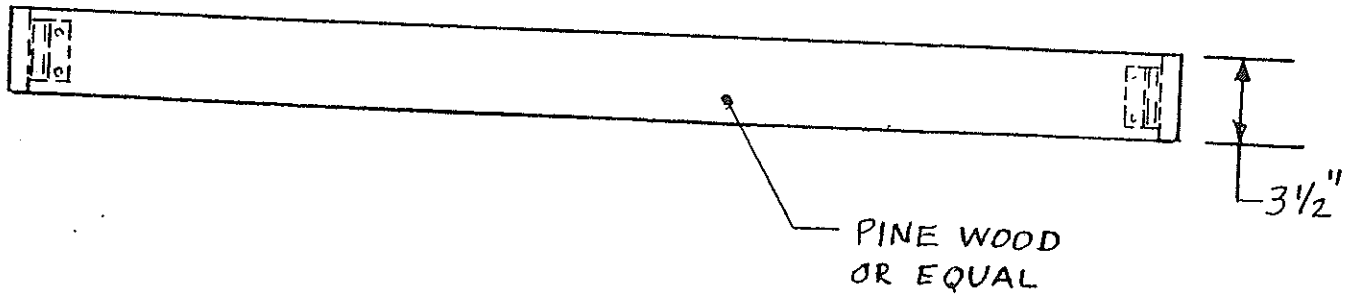
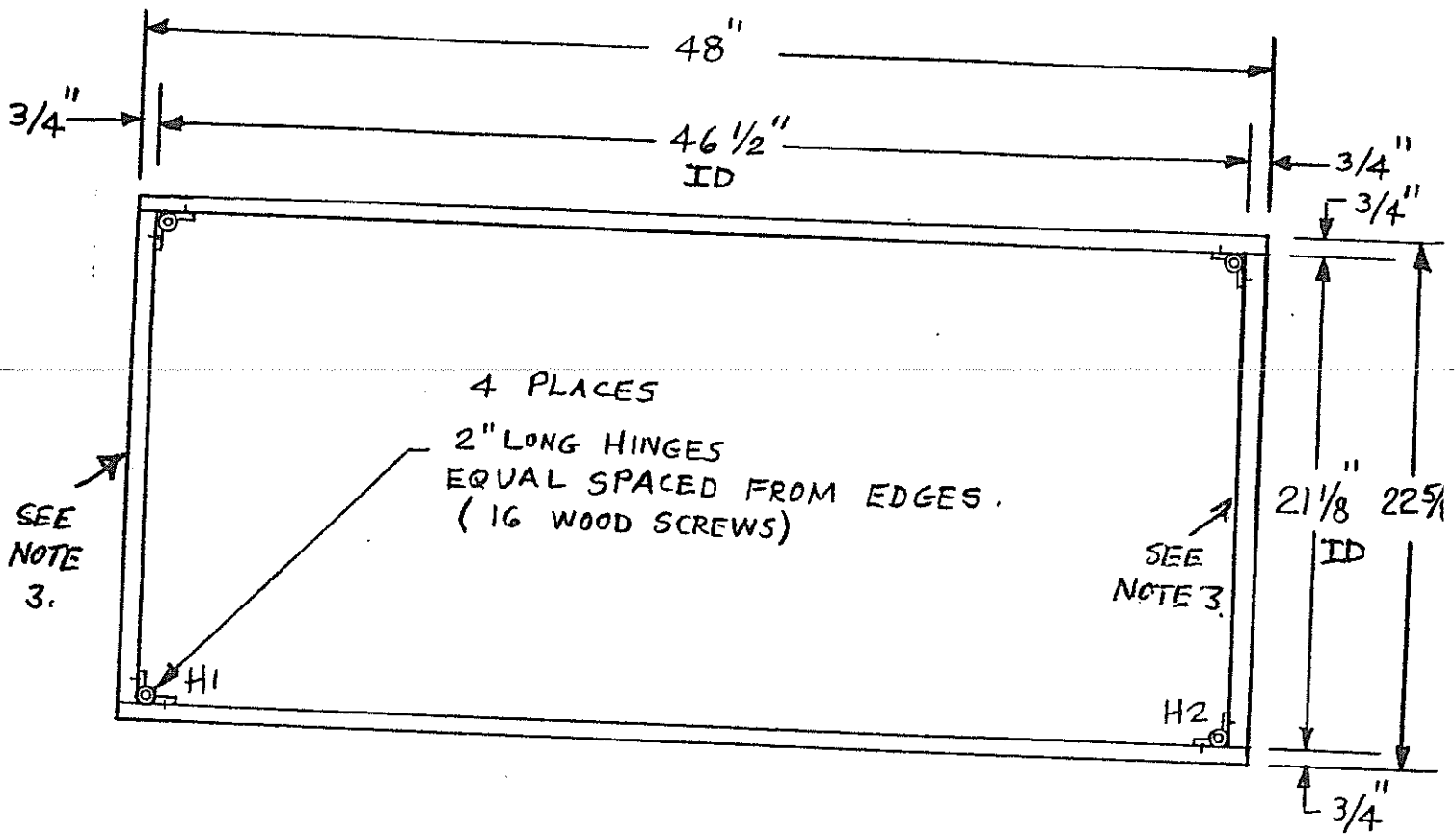
smooth - small blade on Plug

W/strip on rough surface of wire screwing - large blade on Plug

Silver/whit (Net.) large blade (rough)
Brass/blk (Bot) small blade (smooth)



SCALE 1/2" = 1'
LIGHT ASSEMBLY



NOTE :

1. REMOVE PINS FROM H1 AND H2 TO FOLD BASE
2. ID MEANS INSIDE DIMENSION.
3. OPTIONAL FOLD BASE - ADD HINGE TO EACH SIDE IN THE MIDDLE SO BASE WILL FOLD INSIDE. FORGET NOTE 1 IF YOU BUILD OPTIONAL FOLD BASE.

SCALE 1/2" = 1'

BASE ASSEMBLY